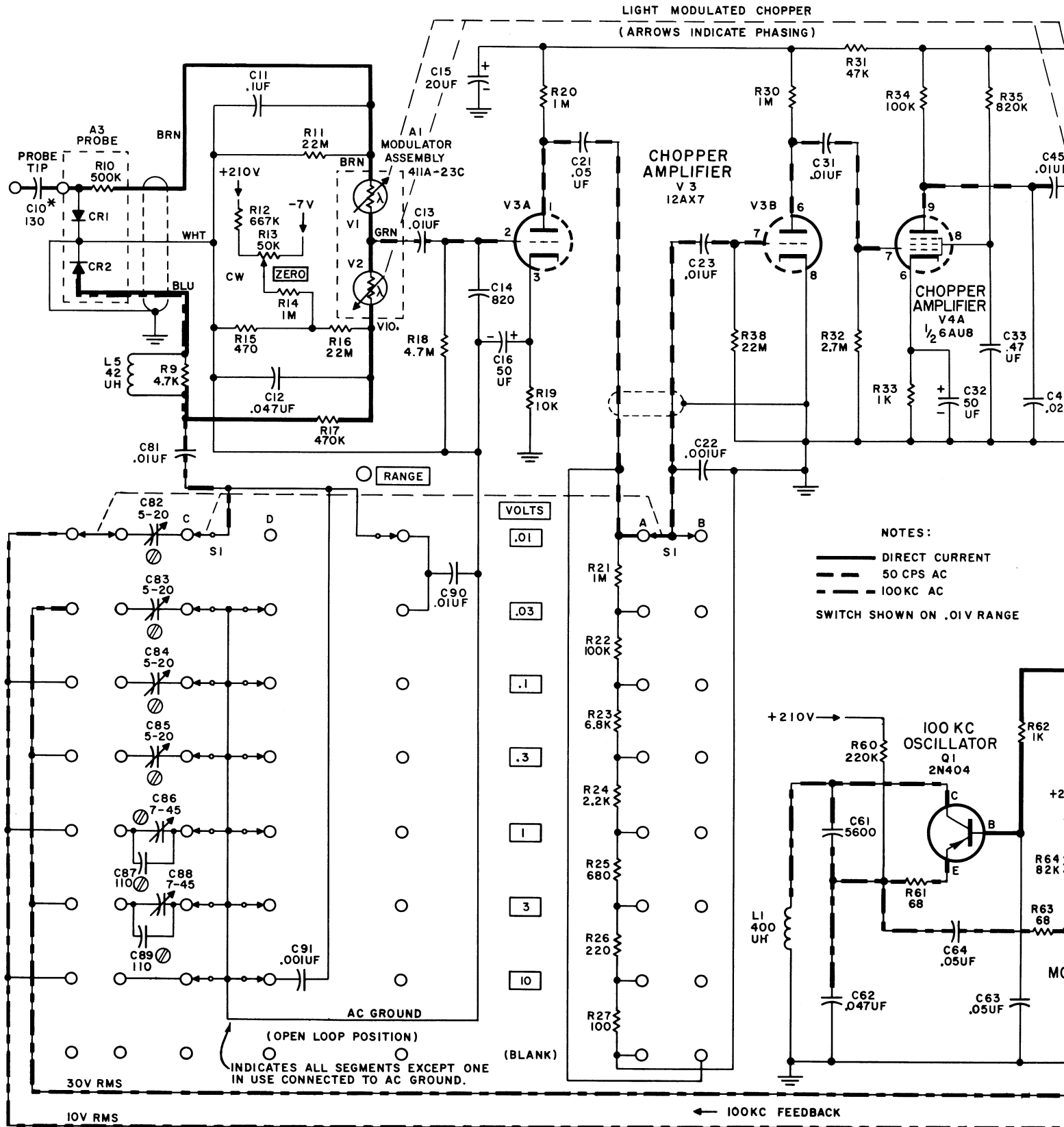


Figure 5-6. Power Supply



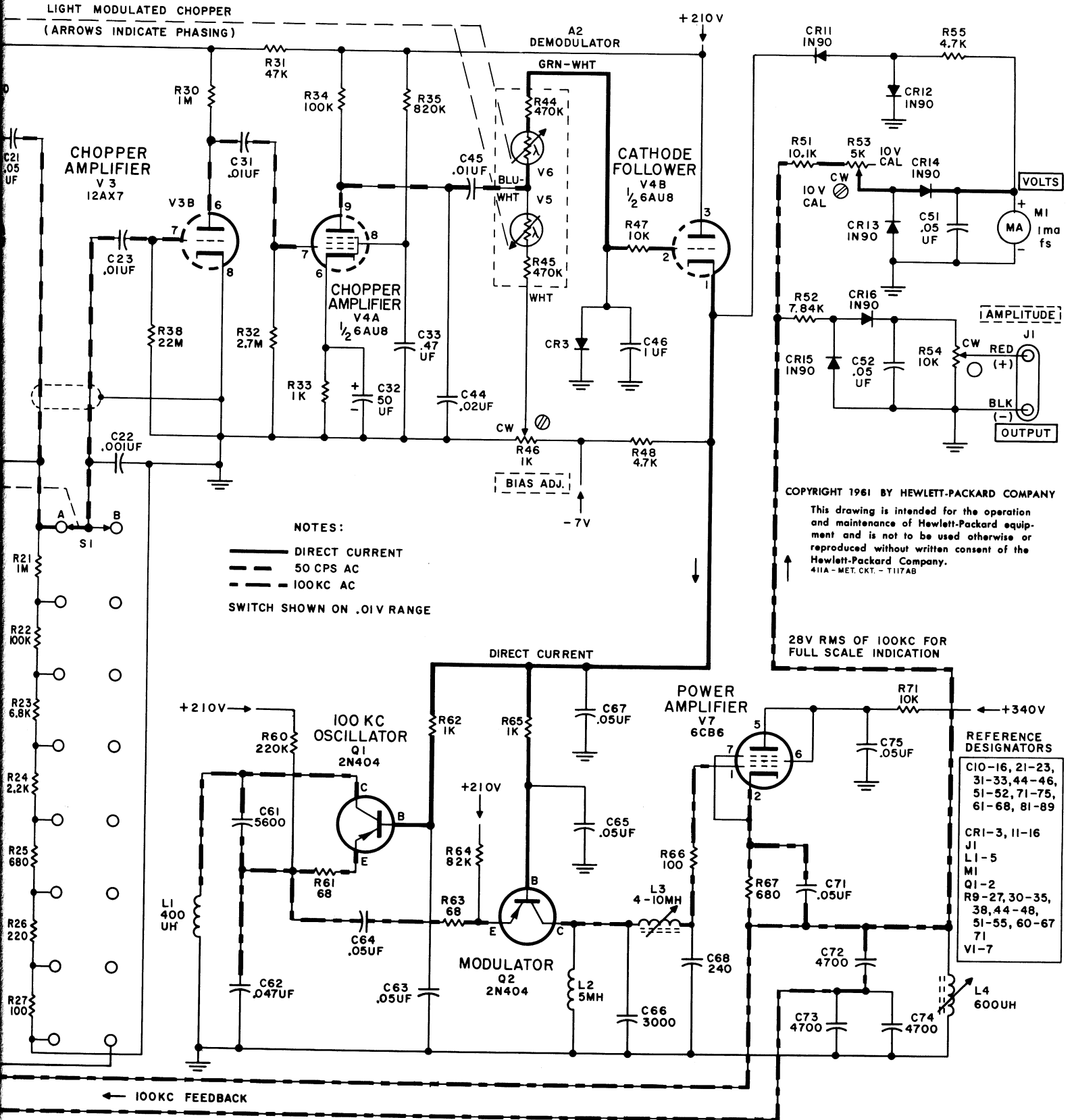


Figure 5-7. Voltmeter
5-11/5-12